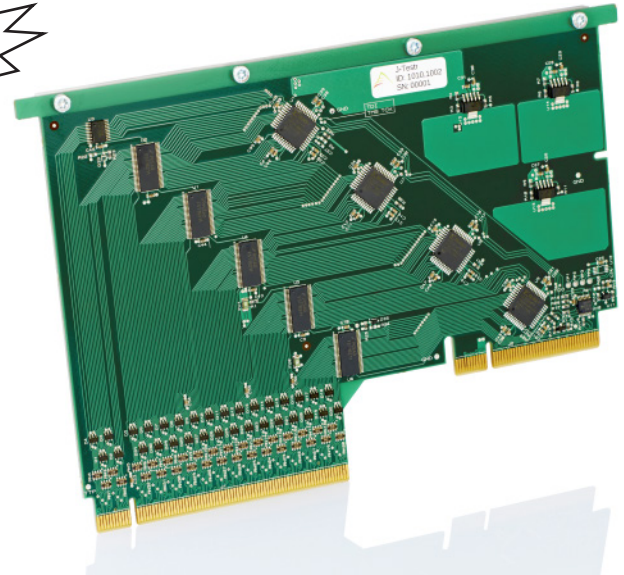


## JTAG IO Peripheral

### Technical Overview

- 128 General purpose IOs
- Banked into 4 sets of 32 IOs
- 1V5, 1V8, 2V5, 3V3 and 5V\* compatible IO
- Separate HW selectable VccIO per bank
- Works with any JTAG Software (supplied BSDL File)
- Very simple operation.
- Over-voltage input protection
- Global I/O Enable/Disable

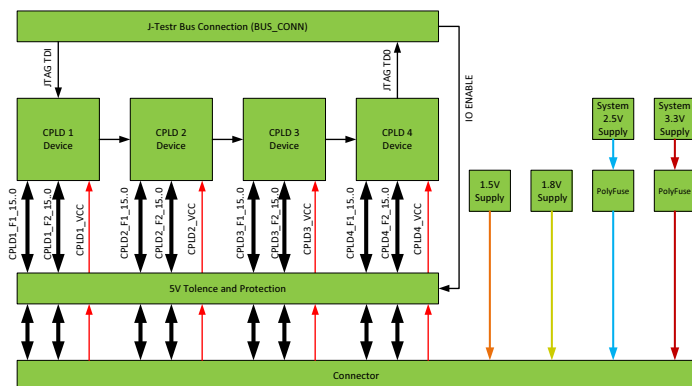


\* 5V Input tolerant

### Peripheral Details

The IO Peripheral card gives the user 128 general purpose IOs which are 100% boundary scan controllable from the JTAG bus. As the IOs are controllable from the JTAG bus, this allows full utilization of the powerful IO testing features provided by JTAG testing tools.

The 128 IOs are split into four banks of 32 IOs which can each have different VccIO voltages from 1.5V to 3.3V. Input voltages up to 5V can be tolerated due to the 'on board' input level shifters.



Protected 1V5, 1V8, 2V5 and 3V3\* supplies are provided at the output connector to save users from providing the VccIO voltages. These can be very simply linked/connected to the bank Vcc as required.

With 'test in mind' all IO lines are protected against over-voltage as it is never known what voltages untested DUT/UUTs could present to these IO lines. A Global IO enable line allows the user to 'float' the IO lines until the DUT/UUT is fully powered.

Since IO cards are low power peripherals, the number of IO cards per J-Testr system is only limited by the number of peripheral card slots. This allows up to 8 per system, equating to 1,024 I/Os, enabling the system to be used for cable testers, especially when combined with powerful IO testing features provided by many JTAG test tools.

Although JTAG communications based, the JTAG IO peripheral still provides protection during a 'J-Safe' condition by rapidly disconnecting all IOs from the UUT.

\* Custom voltages available on request

For further information contact your distributor or email: [jtestr@eigerdesign.com](mailto:jtestr@eigerdesign.com)

All specifications are subject to possible change.

**Order Number**  
**8900.1010.1002**